

AUDITORS CERTIFICATE

FILED FOR RECORD AT THE REQUEST OF SOUND DEVELOPMENT GROUP, LLC

200609080129
 Skagit County Auditor
 9/8/2006 Page 1 of 1 3:31PM

Hanna Bruner
 SKAGIT COUNTY AUDITOR

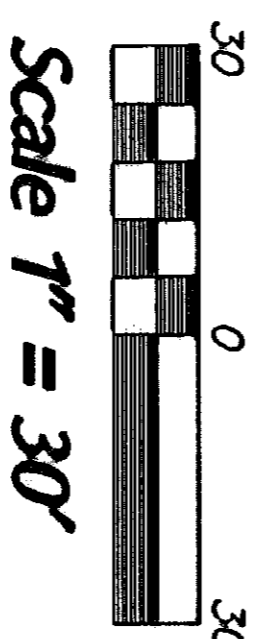
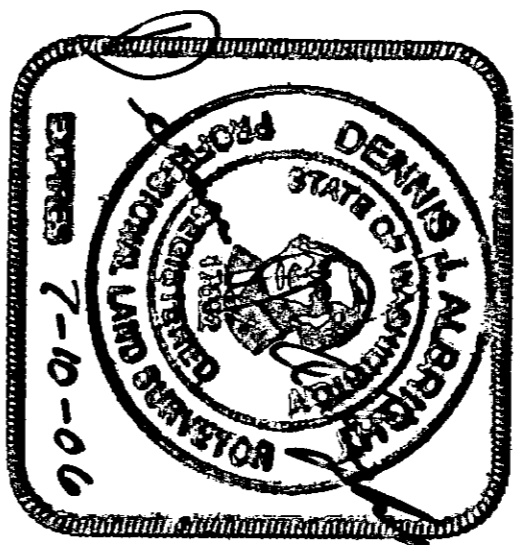
Quincy Saura
 DEPUTY

SURVEYOR'S CERTIFICATE

THIS MAP CORRECTLY REPRESENTS A SURVEY MADE BY ME OR UNDER MY DIRECTION IN CONFORMANCE WITH THE REQUIREMENTS OF THE SURVEY RECORDING ACT AT THE REQUEST OF VANDER SANDEN IN

MARCH 2006
 DENNIS ALBRIGHT, PLS.
 REGISTERED PROFESSIONAL LAND SURVEYOR
 CERTIFICATE NO. 17852

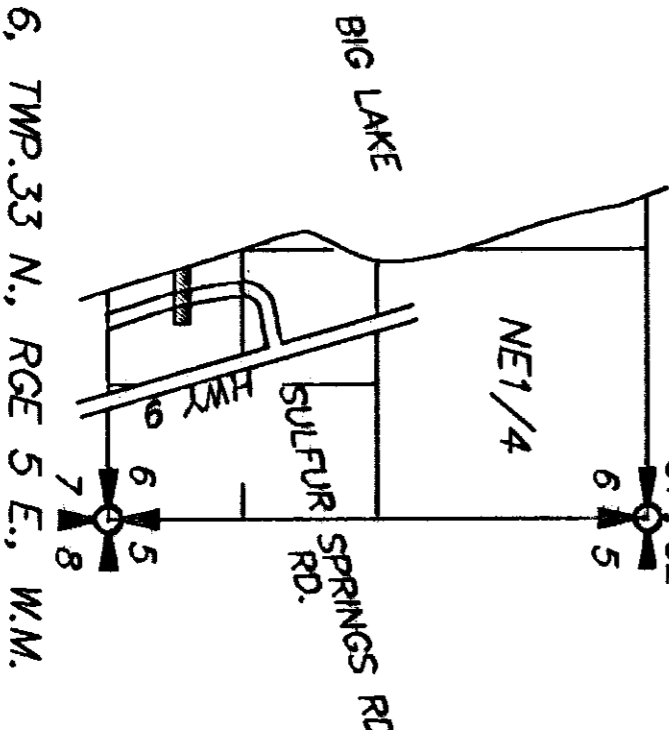
DATE: 5-9-06



LEGEND

- SET REBAR AND CAP, LS NO. 17852
- RECOVERED MONUMENT AS NOTED
- X- FENCE LINE
- ⊙ RECOVERED MONUMENT IN CASE AS NOTED
- ⊙ ROS SURVEY RECORDED UNDER APN 200509080072

INDEX MAP



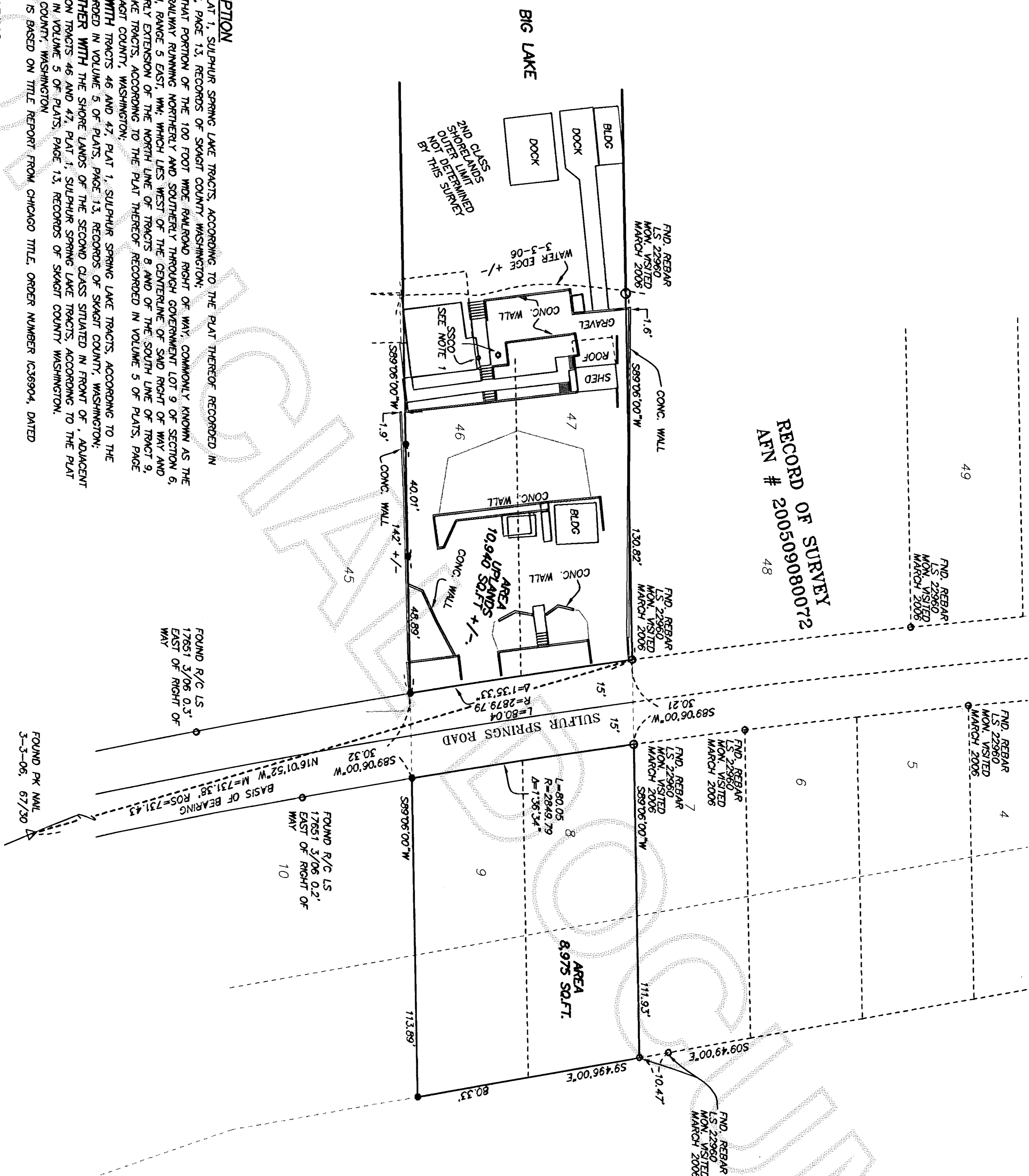
SECTION 6, TWP. 33 N., RGE 5 E., W.M.

RECORD OF SURVEY

FOR
KRIS VANDERSANDEN
 A PORTION OF GOVT LOT 9, SECTION 6, TOWNSHIP 33 NORTH,
 RANGE 5 EAST, T. 33 N.,
 SKAGIT COUNTY, STATE OF WASHINGTON
 PLAT OF SULPHUR SPRINGS LAKE TRACTS

DATE: 3-12-06 PROJECT NO. 019-06 BY: J.HOME SCALE: 1" = 30'
 019ROS.DWG F.B. 30/67

RECORD OF SURVEY
 APN # 200509080072
 48



LEGAL DESCRIPTION

TRACTS 8 AND 9, PLAT 1, SULPHUR SPRING LAKE TRACTS, ACCORDING TO THE PLAT THEREOF RECORDED IN VOLUME 5 OF PLATS, PAGE 13, RECORDS OF SKAGIT COUNTY, WASHINGTON, TOGETHER WITH THAT PORTION OF THE 100 FOOT WIDE RAILROAD RIGHT OF WAY, COMMONLY KNOWN AS THE NORTHERN PACIFIC RAILWAY RUNNING NORTHERLY AND SOUTHERLY THROUGH GOVERNMENT LOT 9 OF SECTION 6, TOWNSHIP 33 NORTH, RANGE 5 EAST, W.M. WHICH LIES WEST OF THE CENTERLINE OF SAID RIGHT OF WAY AND BETWEEN THE EASTERLY EXTENSION OF THE NORTH LINE OF TRACTS 8 AND OF THE SOUTH LINE OF TRACT 9, SULPHUR SPRING LAKE TRACTS, ACCORDING TO THE PLAT THEREOF RECORDED IN VOLUME 5 OF PLATS, PAGE 13, RECORDS OF SKAGIT COUNTY, WASHINGTON, AND TOGETHER WITH TRACTS 46 AND 47, PLAT 1, SULPHUR SPRING LAKE TRACTS, ACCORDING TO THE PLAT THEREOF RECORDED IN VOLUME 5 OF PLATS, PAGE 13, RECORDS OF SKAGIT COUNTY, WASHINGTON, AND ALSO TOGETHER WITH THE SHORE LANDS OF THE SECOND CLASS SITUATED IN FRONT OF, ADJACENT TO OR ABUTTING UPON TRACTS 46 AND 47, PLAT 1, SULPHUR SPRING LAKE TRACTS, ACCORDING TO THE PLAT THEREOF RECORDED IN VOLUME 5 OF PLATS, PAGE 13, RECORDS OF SKAGIT COUNTY, WASHINGTON, (LEGAL DESCRIPTION IS BASED ON TITLE REPORT FROM CHICAGO TITLE, ORDER NUMBER IC36904, DATED OCTOBER 12, 2005)

BASIS OF BEARING

N 16°01'52" E BETWEEN THE FOUND MONUMENTS AS SHOWN REFERENCE IS MADE TO SURVEY RECORDED UNDER AUDITORS FILE NUMBER 200509080072.

RESEARCH

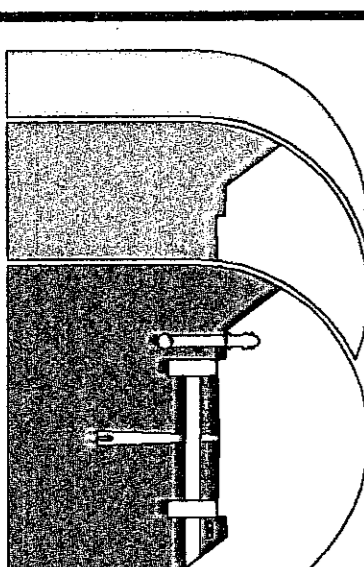
RECORD OF SURVEY SKAGIT COUNTY APN# 9106280027, 8912260015
 SURVEY SKAGIT COUNTY APN# 9308160081, 200509080072

FIELD EQUIPMENT

THIS SURVEY WAS ACCOMPLISHED BY FIELD TRAVERSE WITH A LEICA
 TOCA 1105

NOTES

1. EASEMENT FOR INGRESS AND EGRESS TO SKAGIT COUNTY SEWER DISTRICT #2 APN# 8009230072.
2. THIS SURVEY HAS DERIVED EXISTING OCCUPATIONAL INDICATORS IN ACCORDANCE WITH W.A.C. CH. 332.130. THESE OCCUPATIONAL INDICATORS MAY INDICATE A POTENTIAL FOR CLAIMS OF UNWRITTEN TITLE OWNERSHIP. THE LEGAL RESOLUTION OF OWNERSHIP BASED UPON UNWRITTEN TITLE CLAIMS HAS NOT BEEN RESOLVED BY THIS BOUNDARY SURVEY.



Sound Development Group

ENGINEERING, SURVEYING & LAND DEVELOPMENT SERVICES
 1111 Cleveland Avenue, Suite 202
 Mount Vernon Wa. 98273
 Tel: 360-404-2010 Fax: 360-404-2013